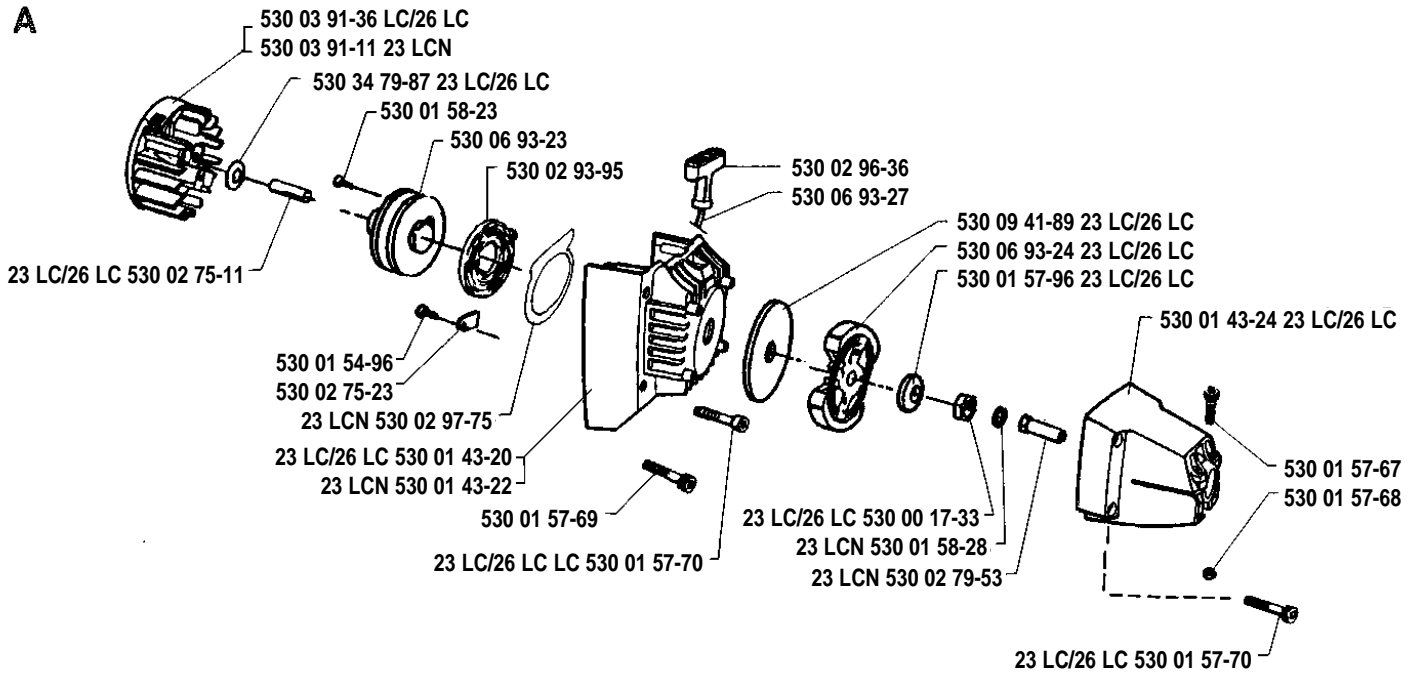
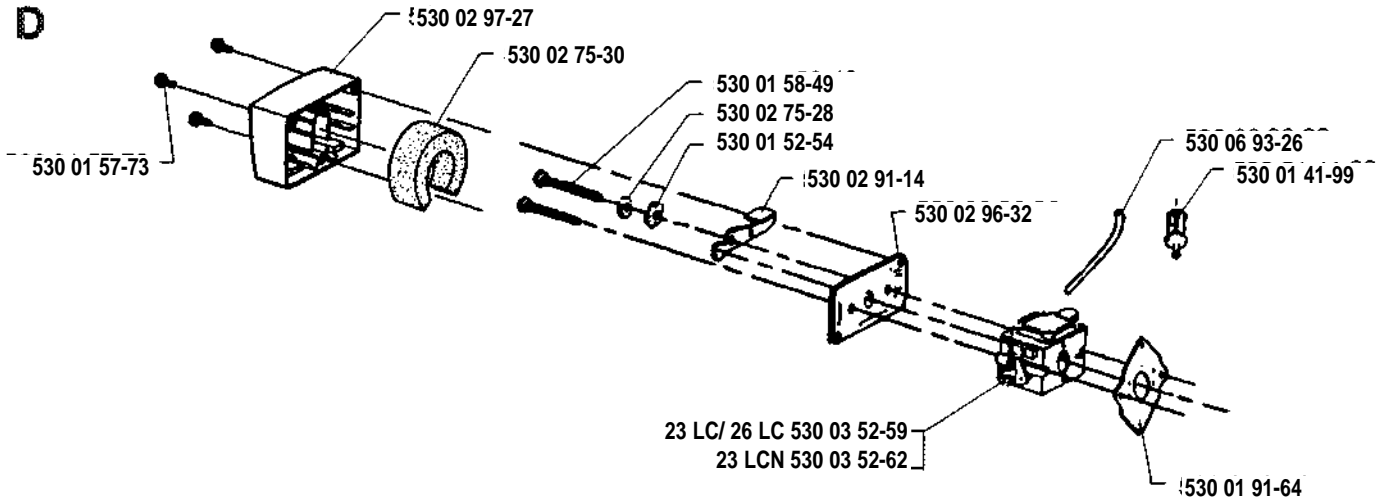


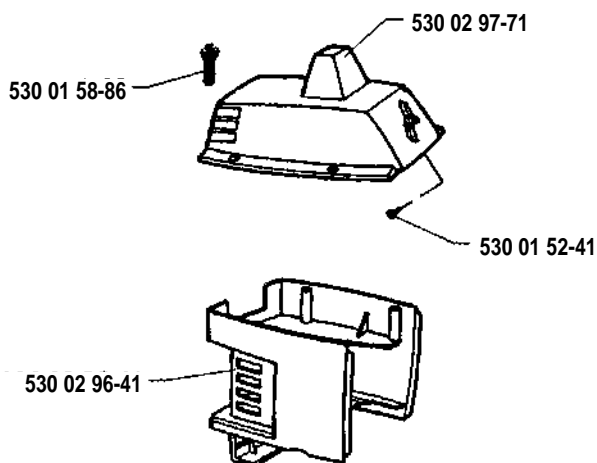
A



D

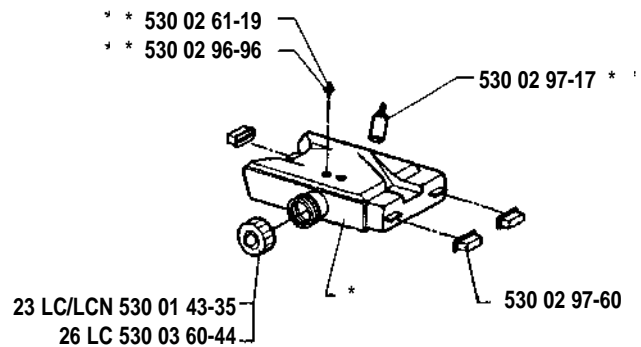


G

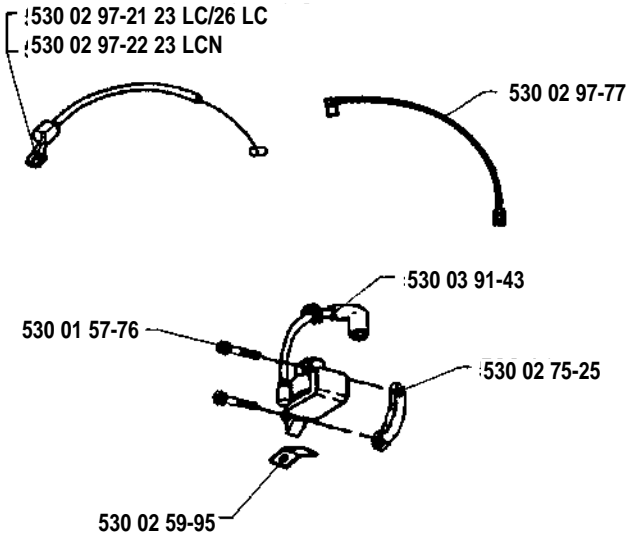


H

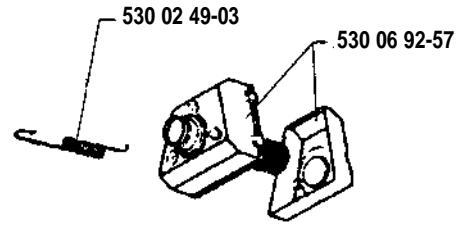
* compl 530 01 42-78



D

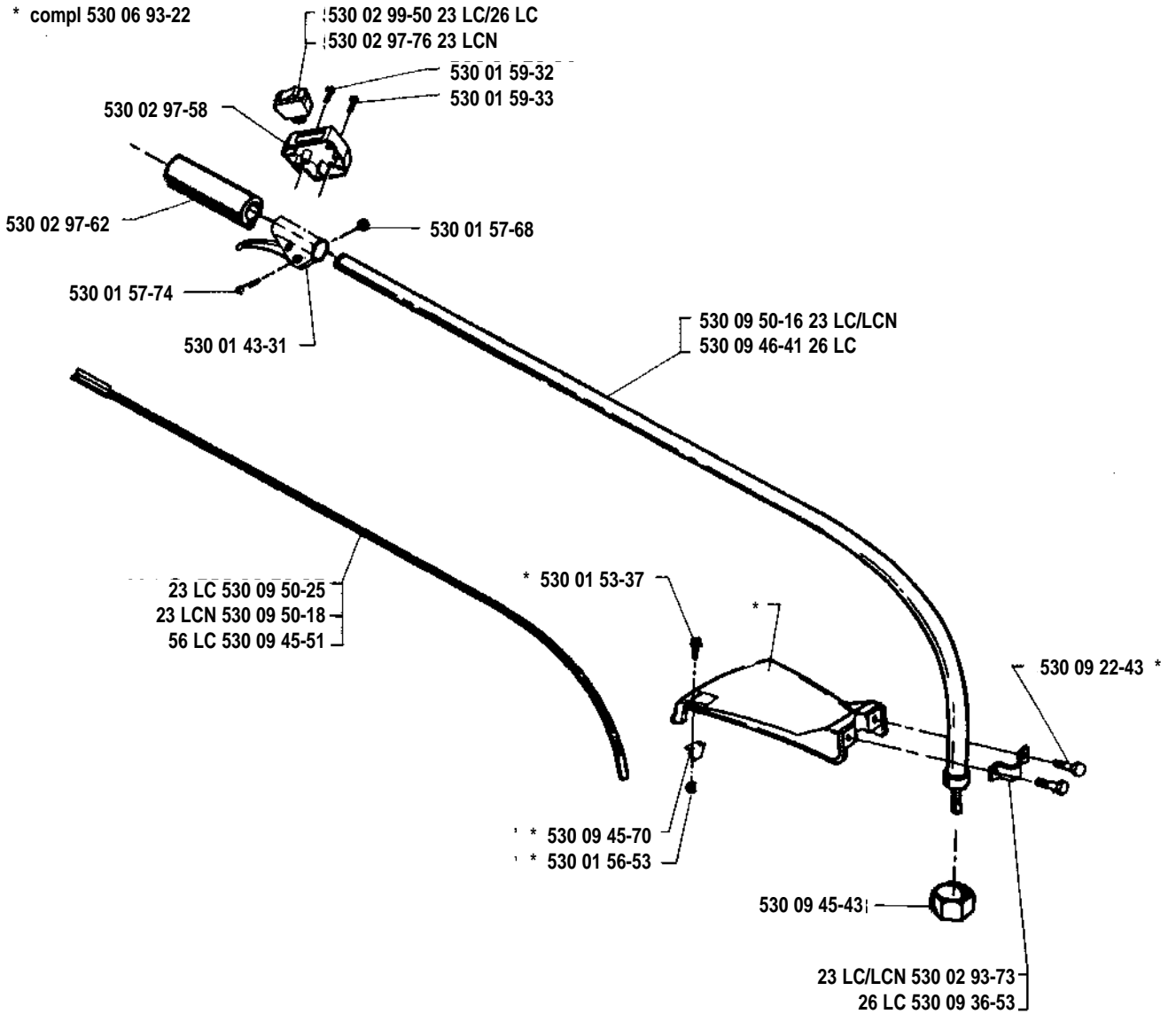


F

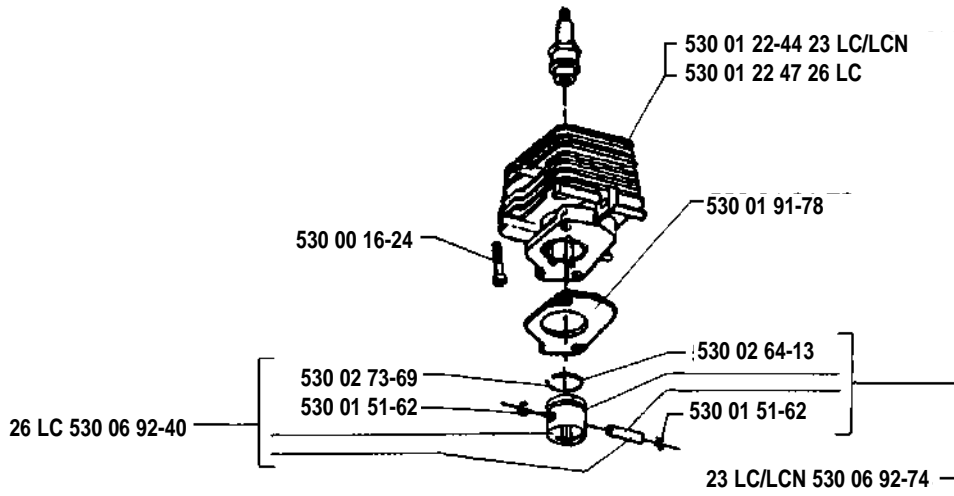


C

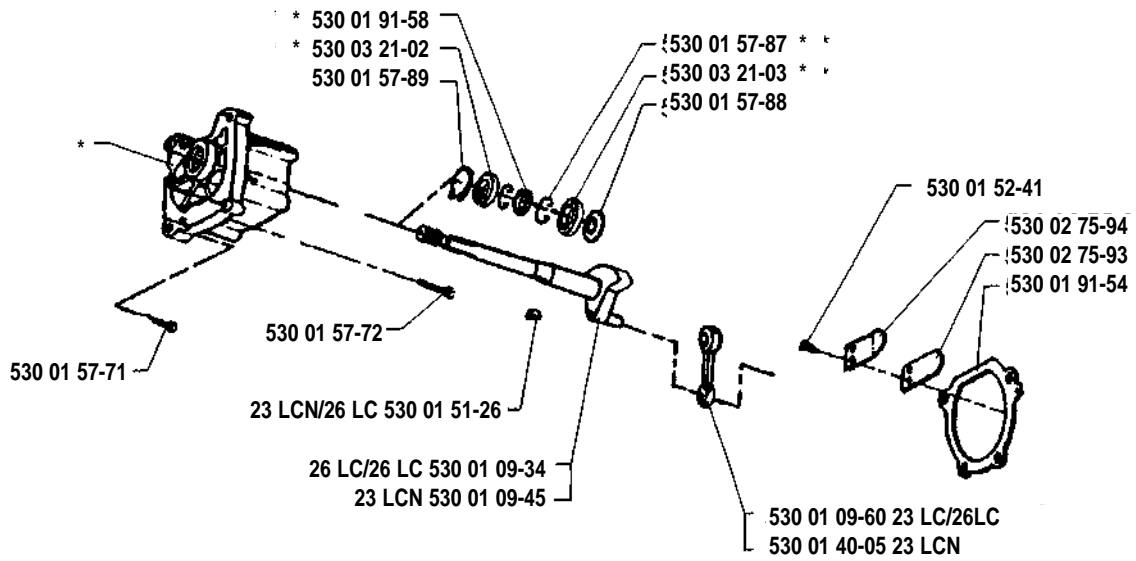
* compl 530 06 93-22



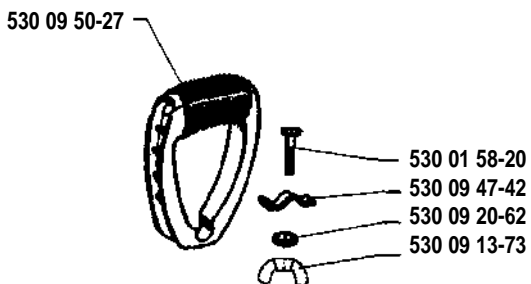
E



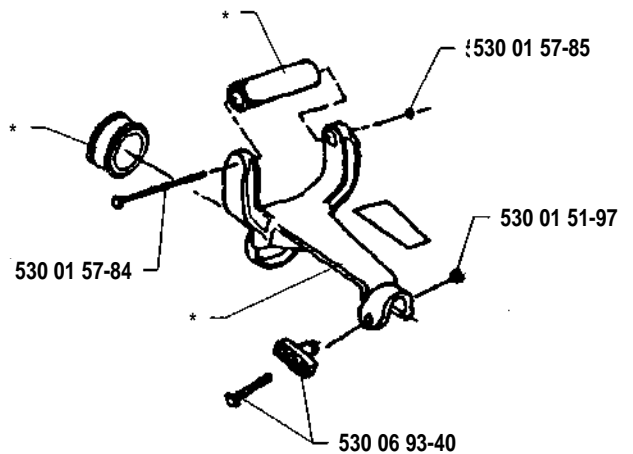
J * compl 530 01 40-16



K 23 LC/LCN



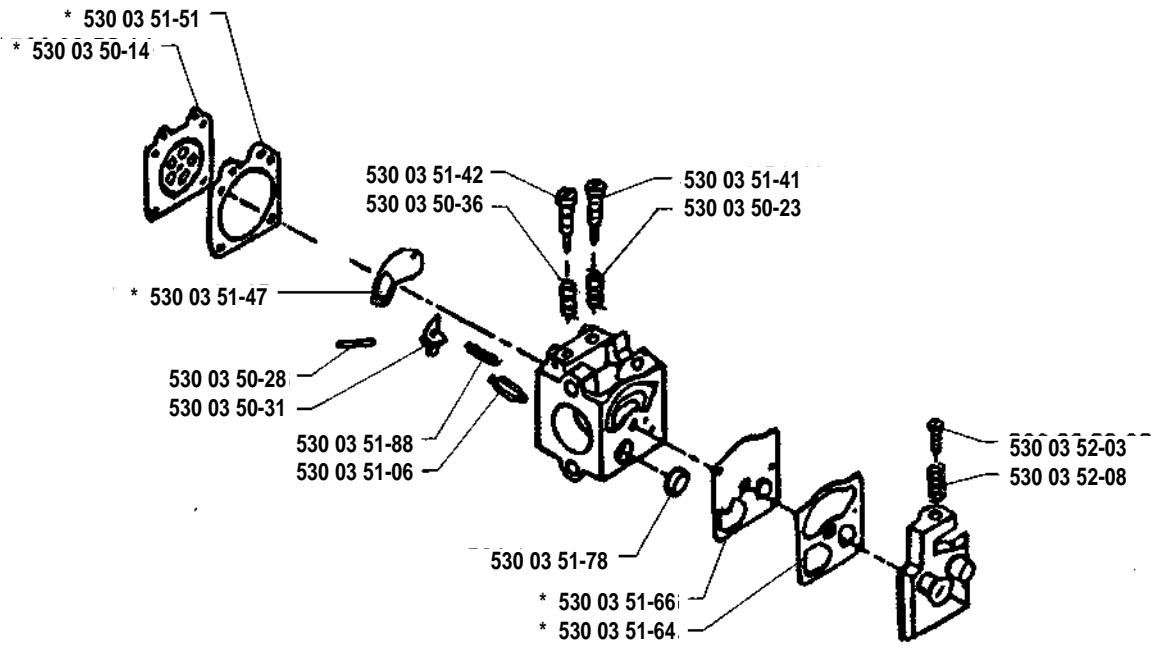
L * compl 530 09 50-34 26 LC



M

* compl 530 03 51-85

23 LC/26 LC



N

* compl 530 03 52-19

23 LCN

